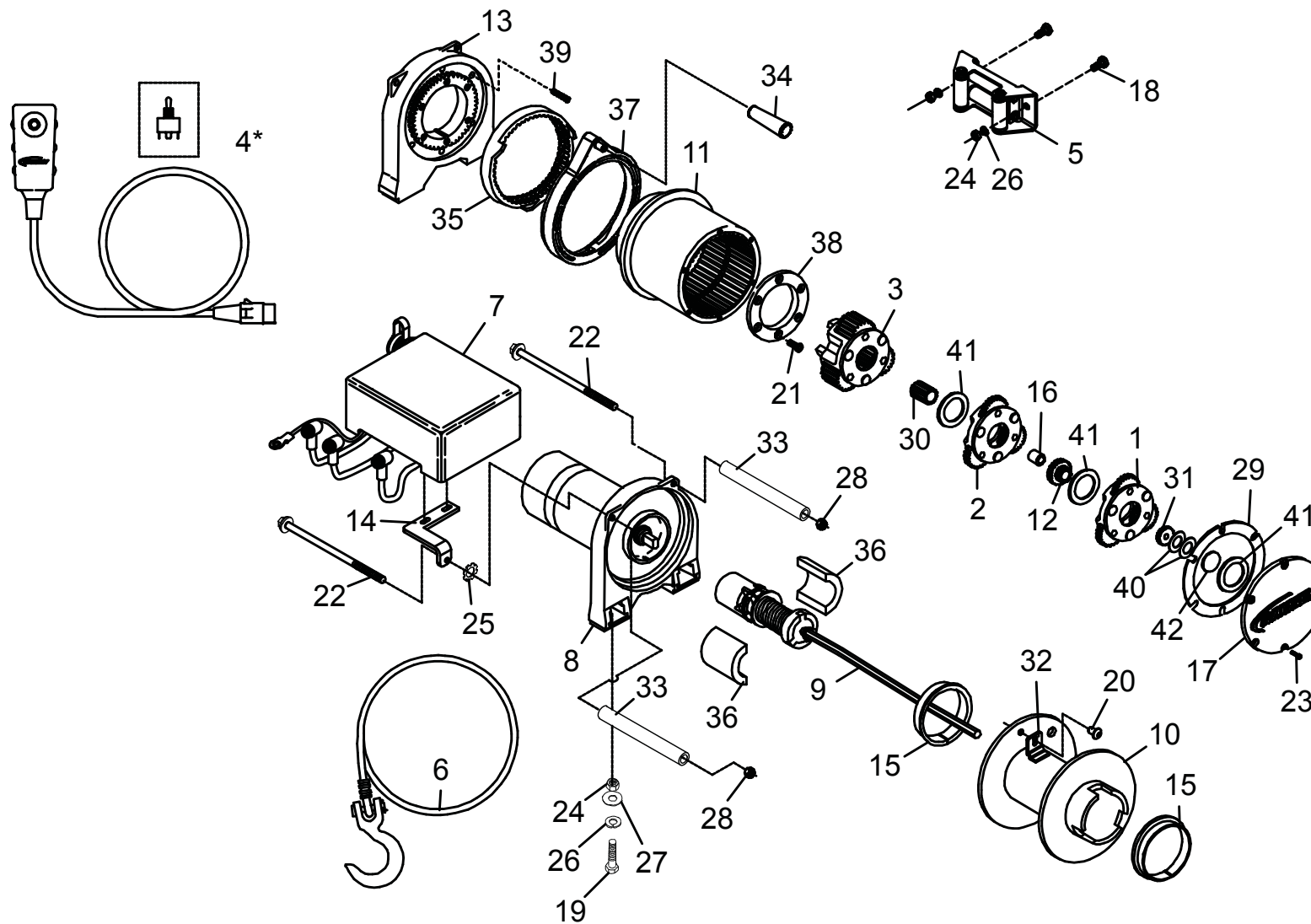


Ramsey ATV UTV Honcho 5000 neu

Ramsey ATV UTV Honcho 5000 new

ProLux



Ramsey ATV UTV Honcho 5000 neu

Ramsey ATV UTV Honcho 5000 new



Item No.	Qty.	Part No.	Description
1	1	247024	Gear Carrier Assembly - Input
2	1	247007	Gear Carrier Assembly - Intermediate
3	1	247006	Gear Carrier Assembly - Output
4*	1	251110	Switch Assembly - 12 Ft.
	1	504024	Toggle Switch Assembly
5	1	251236	Roller Fairlead Assembly
6	1	251274	Assembly - Cable, 7/ 32 Dia. X 60 Ft.
7	1	278158	Solenoid Assembly (Pendant Switch)
		278201	Solenoid Assembly (Toggle Switch)
8	1	296589	Motor/ End Bearing Assembly
9	1	296637	Brake Assembly
10	1	332213	Drum - Cable
11	1	334143	Gear - Ring
12	1	334147	Gear - Intermediate Sun
13	1	338337	End Bearing - Gear Housing
14	1	408315	Solenoid Mounting Bracket
15	2	412056	Bushing - Drum
16	2	412061	Bushing - Shaft
17	1	413018	Cover - Gear Housing
18	2	414314	Capscrew-3/ 8-16NCX1Lg, HXHD, Z/ P, GR 5
19	4	414316	Capscrew-3/ 8-16NCX1 1/ 4, HXHD, Z/ P, G5
20	1	414830	Capscrew-1/ 4-20NCX3/ 8, Soc Button Hd
21	6	414861	Bolt-1/ 4X20NCX3/ 4, Flat SocHd, NY-LOK
22	2	415007	Capscrew-M6 X 1 X 107MM LG, HXHD Z/ P
23	6	416273	Screw ASM-#6-32NCX3/ 8&L/ W, FILHD/ PLT
24	6	418035	Nut-3/ 8-16NC Hex Reg Zinc Plated
25	1	418165	Washer-5/ 16 Shake Prf, Ext Teeth, Z/ P
26	6	418177	Lockwasher-3/ 8 Med Sect, Zinc Plated
27	4	418181	Washer-3/ 8 ID SAE Flat, Zinc Plated
28	2	419004	Locknut-M6 X 1MM, Hex With Nylon Insert,
29	1	442207	Gasket - Gear Housing Cover
30	1	444048	Gear - Output Sun
31	1	444097	Gear-Input Sun
32	1	448071	Cable Anchor
33	2	448105	Tie Bar
34	1	452005	Shifter Lever
35	1	477002	Locking Ring
36	1	477004	Ring - Half
37	1	477013	Cam Ring
38	1	479007	Retainer - Ring Gear
39	6	494077	Spring
40	2	518019	Thrust Washer
41	3	518020	Thrust Washer
42	1	518027	Thrust Disc

Bitte nehmen Sie bei der Bestellung von Ersatzteilen Bezug auf die genannte Ramsey-Artikelnummer.
When ordering a spare part, please refer to these Ramsey code numbers.