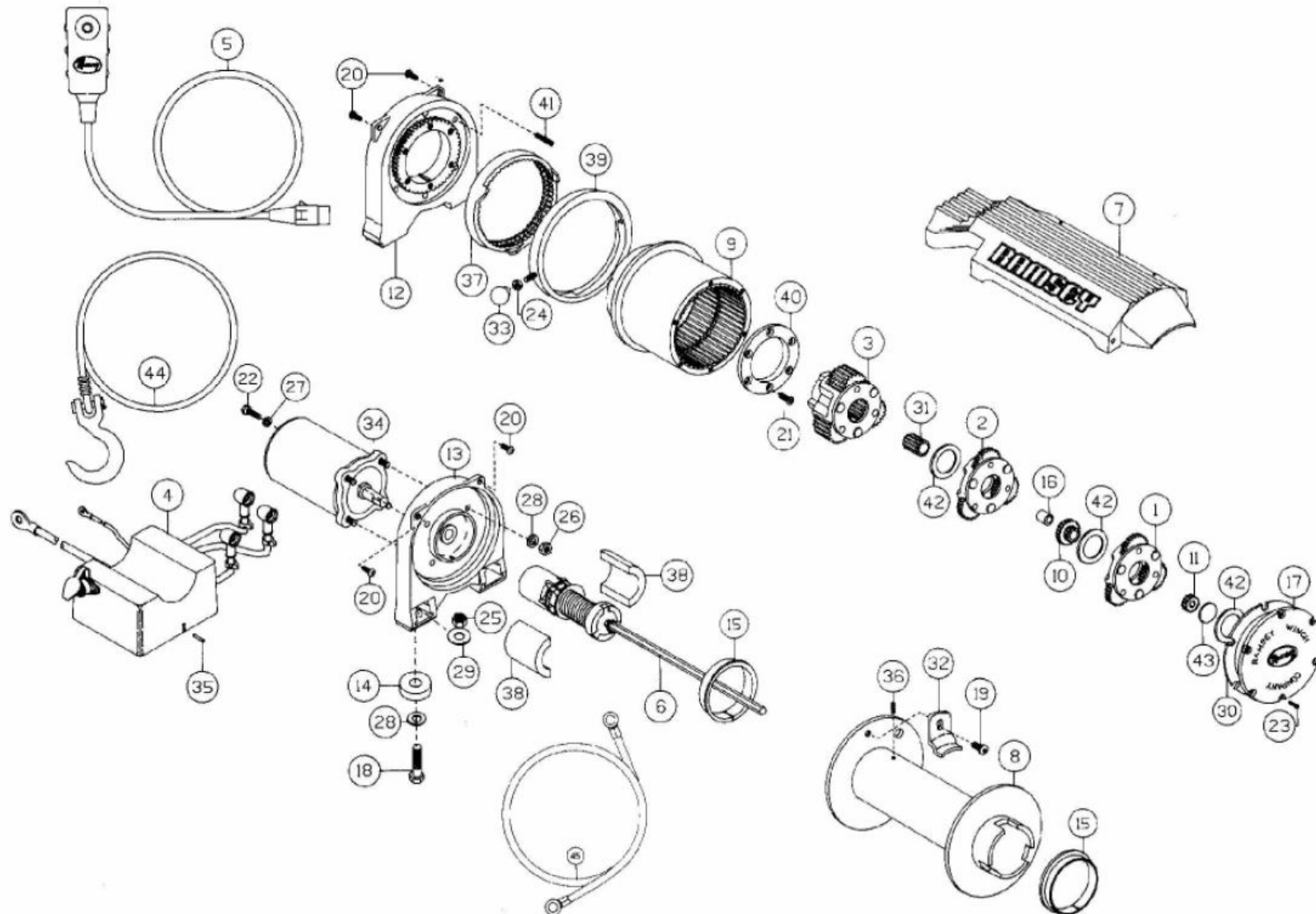


Ramsey PRO 5000

ProLux



Ramsey PRO 5000



Item No.	Qty. Req'd	Part No.	Description
1	1	247004	Gear Carrier Ass'y.-Input
2	1	247007	Gear Carrier Ass'y.-Intermediate
3	1	247006	Gear Carrier Ass'y.-Output
4	1	278101	Solenoid Ass'y.-12V
5	1	251110	Switch Ass'y.
6	1	296285	Brake/Shaft Assy.
7	1	296404	Cover Ass'y.-Drum
8	1	332143	Drum-Cable
9	1	334143	Gear-Ring, Output
10	1	334147	Gear-Intermediate Sun
11	1	334153	Gear-Input Sun
12	1	338249	End Bearing
13	1	338282	End Bearing-Motor
14	4	362249	Spacer
15	2	412056	Bushing-Drum
16	1	412061	Bushing-Shaft
17	1	413018	Cover-Gear Housing
18	4	414317	Capscrew $\frac{3}{8}$ -16NCx1 $\frac{3}{4}$ Lg. Hx.Hd. Gr. 5 Z/P
19	1	414830	Capscrew $\frac{1}{4}$ -20NCx $\frac{3}{8}$ Lg. Soc. Button Hd.
20	4	414823	Capscrew $\frac{1}{4}$ -20NCx $\frac{3}{4}$ Lg. Soc. Button Hd. Bk.
21	6	414861	Capscrew $\frac{1}{4}$ -20NCx $\frac{3}{4}$ Lg. Flat Hd. Soc. NY-LOK
22	1	415001	Capscrew M6 x 1.0 Thrd.

Item No.	Qty. Req'd	Part No.	Description
23	6	416273	Capscrew #6-32NCx $\frac{3}{8}$ Lg. Fil.Hd.
24	1	418029	Nut $\frac{5}{16}$ -24NF Hx. Jam Z/P
25	4	418035	Nut $\frac{3}{8}$ -16NC Hx. Reg. Z/P
26	4	418040	Nut $\frac{3}{8}$ -24NF Hx. Reg. Z/P
27	1	418157	Washer- $\frac{1}{4}$ Int. Teeth
28	8	418177	Lockwasher $\frac{3}{8}$ Med. Sect. Z/P
29	4	418181	Washer-Flat $\frac{3}{8}$ S.A.E. Z/P
30	1	442207	Gasket-Cover
31	1	444048	Gear-Output Sun
32	1	448071	Cable Anchor
33	1	452001	Knob-Shifter
34	1	458072	Motor-Electric 12V.
35	1	470053	Roll Pin $\frac{1}{8}$ Dia. x $\frac{3}{8}$ Lg.
36	1	470082	Pin
37	1	477002	Locking Ring
38	2	477004	Ring-Half
39	1	477011	Cam Ring
40	1	479007	Retainer-Ring Gear
41	6	494077	Spring
42	3	518020	Thrust Washer
43	1	518027	Thrust Disc
44	1	251169	Cable Assembly
45	1	289140	Cable-Ground

Bitte nehmen Sie bei der Bestellung von Ersatzteilen Bezug auf die genannte Ramsey-Artikelnummer.
 When ordering a spare part, please refer to these Ramsey code numbers.