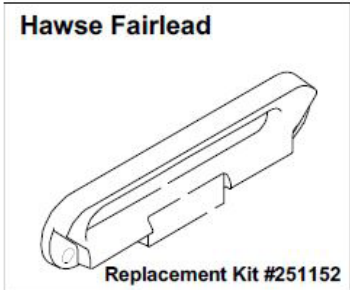
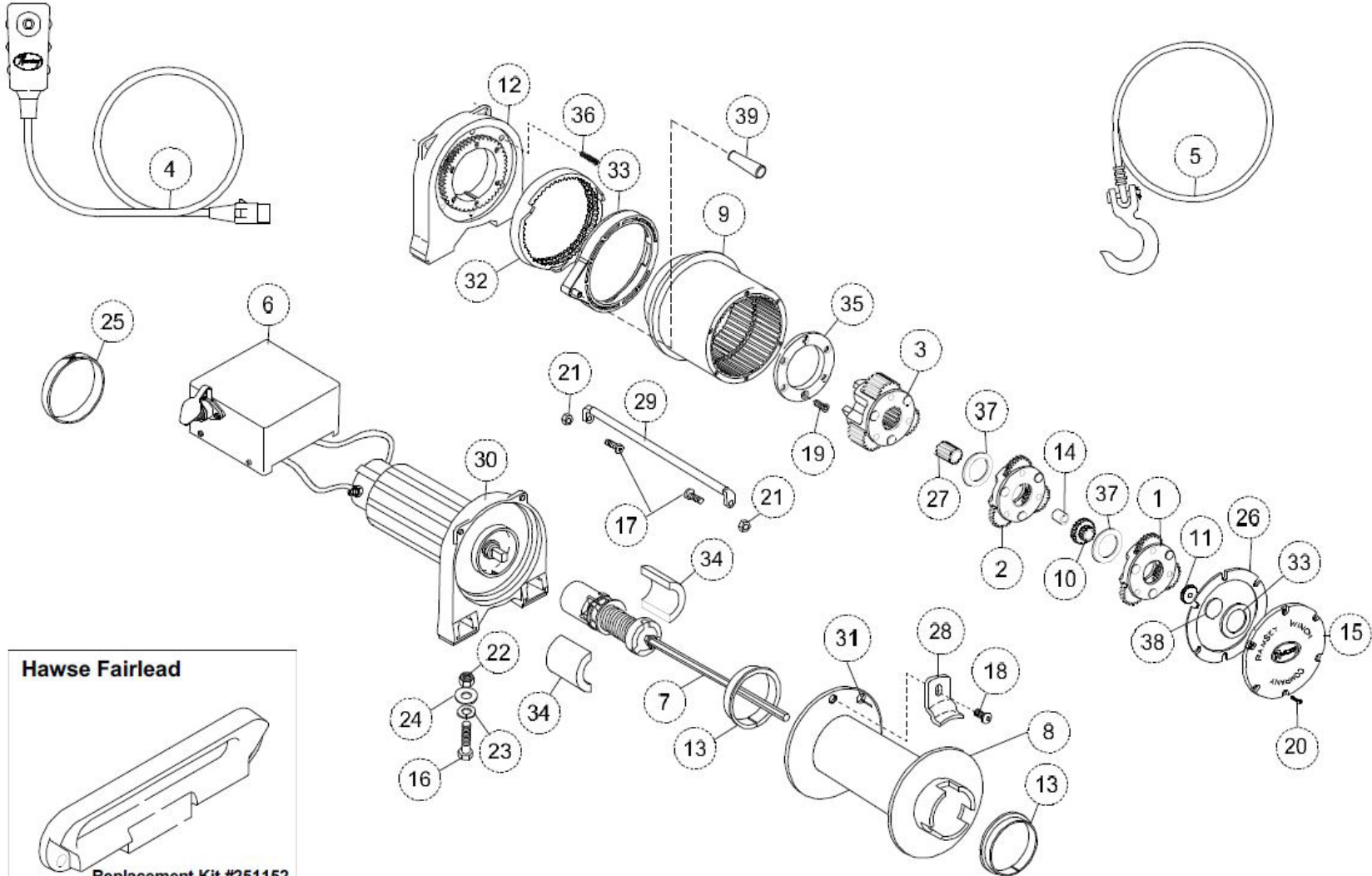


Ramsey REP 8.5



Included with the REP 8500e
Mounting hardware included with winch.

Ramsey REP 8.5

Item No.	Qty.	Parts No.	Description	Item No.	Qty.	Parts No.	Description
1	1	247004	Input Gear Carrier Ass'y.	19	6	414861	Capscrew 1/4 - 20NCx3/4 Lg. Flat Hd. Soc. NYLOK
2	1	247005	Intermediate Gear Carrier Ass'y - 12v	20	6	416273	Screw #6 - 32NCx3/8 Lg. Fil. Hd.
	1	247007	Intermediate Gear Carrier Ass'y - 24v	21	4	418018	Nut 1/4 - 20NC Hx. Reg. Elastic Stop
3	1	247008	Output Gear Carrier Ass'y	22	4	418035	Nut 3/8 - 16NC Hx. Reg. Z/P
4	1	251110	Switch Ass'y	23	4	418177	Lockwasher 3/8 ID Med. Sect. Plated
5	1	251118	Cable Assembly-95' 5/16" (8MM) Dia.	24	4	418181	Washer - Flat 3/8 ID S.A.E., Plated
6	1	278155	Solenoid Ass'y - 12V	25	1	424023	Solenoid Clamp
	1	278042	Solenoid Ass'y - 24V	26	1	442207	Gasket
7	1	296181	Brake/Shaft Ass'y - 12V	27	1	444048	Output Sun Gear
8	1	332128	Drum - Cable	28	1	448046	Cable Anchor
9	1	334143	Ring Gear	29	2	448049	Tie Bar
10	1	334145	Intermediate Sun Gear - 12v	30	1	458128	Motor/End Bearing Ass'y. - 12V
	1	334147	Intermediate Sun Gear - 24v		1	458129	Motor/End Bearing Ass'y. - 24V
11	1	334153	Input Sun Gear	31	1	470050	Roll Pin 1/8 Dia. x 3/8
12	1	338249	End Bearing	32	1	477002	Locking Ring
13	2	412056	Bushing - Drum	33	1	477013	Cam Ring
14	1	412061	Bushing - Shaft	34	2	477004	Ring - Half
15	1	413018	Cover - Gear Housing	35	1	479007	Retainer - Ring Gear
16	4	414316	Capscrew 3/8 - 16NCx1-1/4Lg.Hx.Hd.Gr.5,Z/P	36	6	494077	Spring
17	4	414829	Capscrew 1/4 - 20NCx1 Lg. Soc. Button Hd.	37	3	518020	Thrust Washer
18	1	414830	Capscrew 1/4 - 20NCx3/8 Lg. Soc. Button Hd.	38	1	518027	Thrust Disc
				39	1	452005	Shifter Lever

Bitte nehmen Sie bei der Bestellung von Ersatzteilen Bezug auf die genannte Ramsey-Artikelnummer.
 When ordering a spare part, please refer to these Ramsey code numbers.