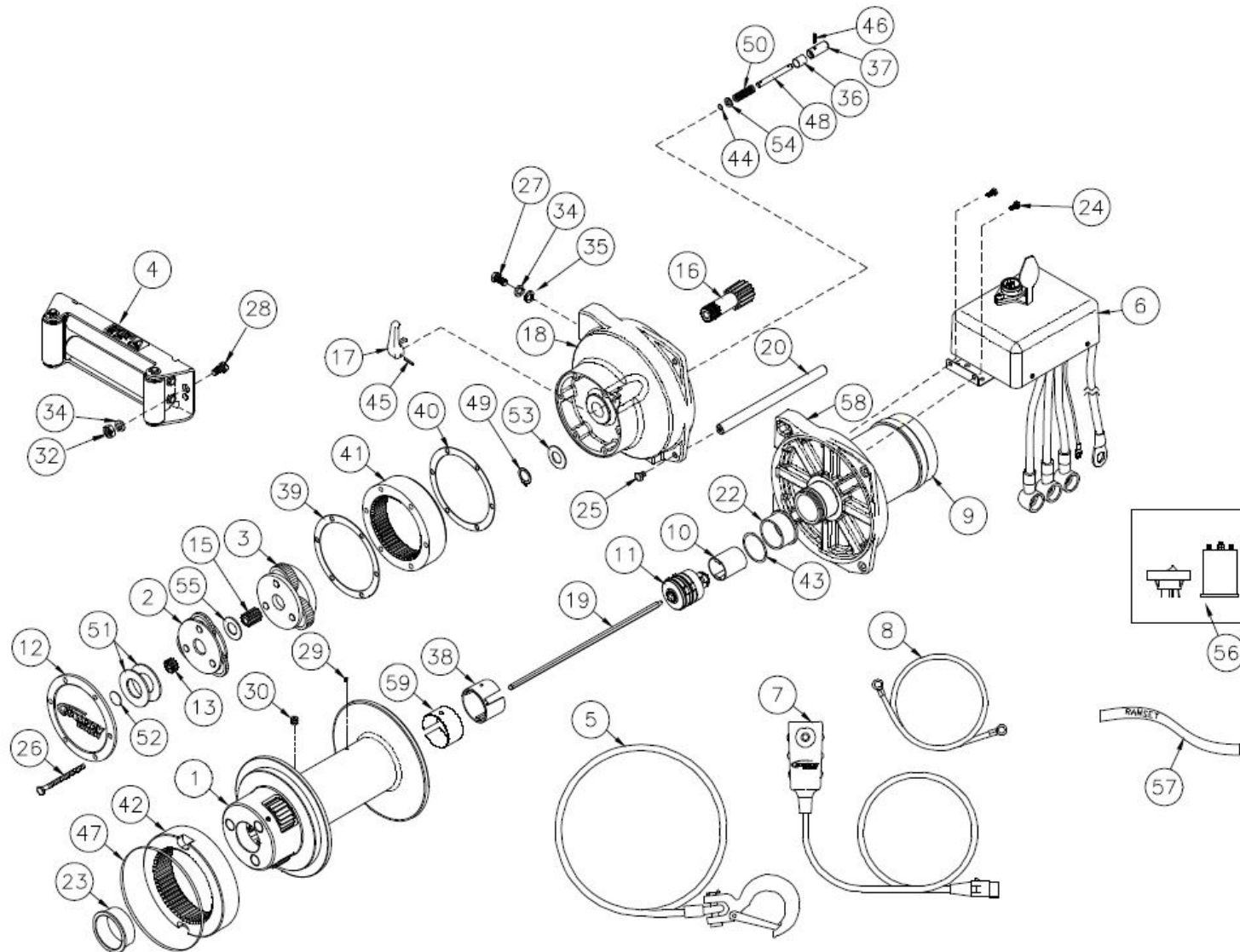


Ramsey Patriot 15000

ProLux



Ramsey Patriot 15000

Item	Qty.	P/N	Description	Item	Qty.	P/N	Description
1	1	234192	DRUM ASSEMBLY	30	1	416059	SETSCREW-3/8-16NC X 1/2 LG
2	1	247028	INPUT GEAR CARRIER ASSY				
3	1	247035	INTERMEDIATE GEAR CARRIER ASSY	32	2	418049	NUT-7/16-14NC HEX REG Z/P
4	1	251183	ROLLER FAIRLEAD				
5	1	251230	CABLE ASSY-90"X7/16" W/HOOK	34	6	418198	LOCKWASHER 7/16
6	1	278178	SOLENOID ASSY 12V	35	4	418204	FLAT WASHER 7/16
	1	278187	SOLENOID ASSY 24V	36	1	418458	SPACER-CLUTCH SHAFT
7	1	282001	SWITCH ASSY-12FT LG,STD,	37	1	426042	PLUNGER-CLUTCH,MANUAL
8	1	289141	WIRE ASSY - GROUND	38	1	438033	BRAKE SHELL
9	1	458135	MOTOR - 12V	39	1	442208	GASKET-GEAR HOUSING COVER
	1	458136	MOTOR - 24V	40	1	442219	GASKET-RING GEAR
10	1	296600	COUPLING-MOTOR	41	1	444077	GEAR-RING INPUT & INTERMEDIATE
11	1	296601	BRAKE ASSY	42	1	444084	GEAR-RING OUTPUT
12	1	328138	COVER - GEAR HOUSING	43	1	462046	O-RING, 2-1/4 OD X 1/8
13	1	334153	INPUT SUN GEAR	44	1	462064	O-RING, 7/16 OD X 1/16
				45	1	470097	SPIROL PIN-1/8 X 3/4
15	1	334184	INTERM SUN GEAR	46	1	470088	PIN-SPRING 1/8 X 5/8
16	1	334193	OUTPUT SUN GEAR	47	1	486080	SEAL- GEAR HOUSING
17	1	336029	CLUTCH LEVER	48	1	489025	SHAFT-SHIFTER CLUTCH
18	1	338334	END BEARING - GEAR	49	1	490037	SNAP RING
19	1	357514	INPUT SHAFT	50	1	494104	SPRING-SHIFTER,CLUTCH
20	2	395419	TIE BAR	51	2	518020	THRUST WASHER-1.39 ID
				52	1	518027	THRUST DISC-.035 X .922
22	1	412084	BUSHING-DRUM, MOTOR END	53	1	518066	WASHER-THRUST,.063 THICK
23	1	412085	BUSHING-DRUM, GEAR END	54	1	518060	WASHER-CLUTCH LEVER
24	2	414055	CAPSCREW-1/4-20UNC X 1/2 LG HX HD	55	1	518061	SPACER-INPUT-INTER GEAR
25	4	414038	CAPSCREW-1/4-20UNC X 3/4 LG HX HD	56	1	296602	ON/OFF SWITCH ASSEMBLY (12V)
26	6	414159	CAPSCREW-5/16-18UNC X 2.50 LG HX HD		1	296603	ON/OFF SWITCH ASSEMBLY (24V)
27	4	414462	CAPSCREW-7/16-14NC X 1 LG HX HD Z/P GR5	57	1	525011	HOOK STRAP
28	2	414469	CAPSCREW-7/16-14NC X 1 1/4 LG HX HD Z/P GR5	58	1	338347	END BEARING
29	1	416030	SETSCREW-1/4-20NC X 3/8 HALF DOG POINT	59	1	438042	INSULATOR-BRAKE

Bitte nehmen Sie bei der Bestellung von Ersatzteilen Bezug auf die genannte Ramsey-Artikelnummer.

When ordering a spare part, please refer to these Ramsey code numbers.