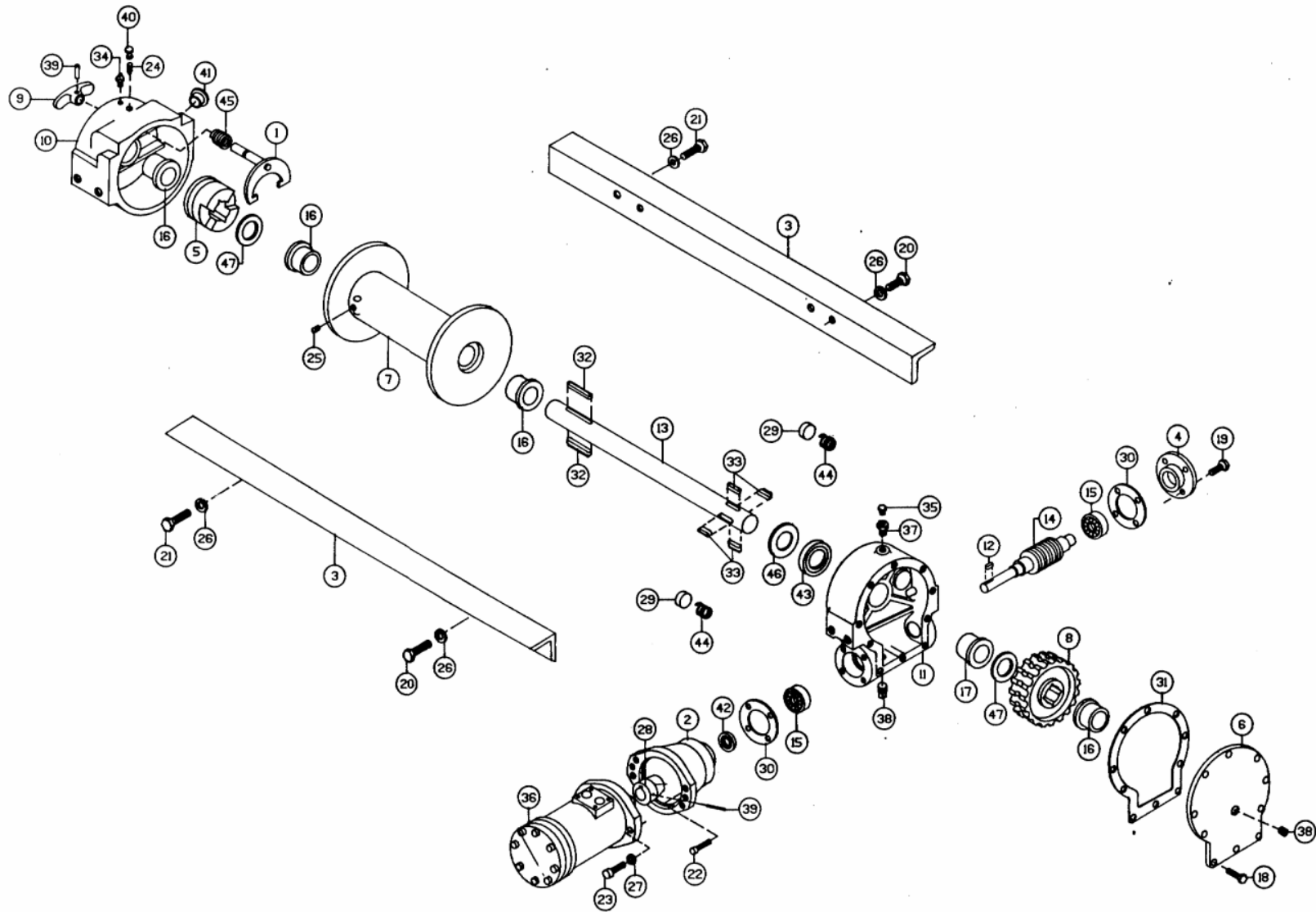


Ramsey H 300

ProLux



Ramsey H 300



ITEM NO.	QTY	PART NO.	DESCRIPTION
1	1	276056	Shifter Ass'y
2	1	300057	Adapter
3	2	302818	Angle – "STD"
	2	302819	Angle – "Y"
4	1	316083	Bearing Cap
5	1	324160	Jaw Clutch
6	1	328143	Cover
7	1	332007	Drum – "Y"
	1	332105	Drum – "STD"
8	1	334161	Gear R.H. 60:1
	1	334163	Gear R.H. 46:1
9	1	336010	Handle
10	1	338208	Housing – Clutch
11	1	338273	Housing – Gear
12	1	342027	Key
13	1	357487	Shaft – Drum – "STD"
	1	357488	Shaft – Drum – "Y"
14	1	368002	Worm R.H. 46:1
	1	368007	Worm R.H. 60:1
15	2	402002	Bearing – Ball
16	4	412003	Bushing
17	1	412045	Bushing
18	10	414038	Capscrew 1/4 - 20NC x 3/4 Lg. Hx. Hd. Gr. 5
19	8	414045	Capscrew 1/4 - 20NC x 7/8 Lg. Hx. Hd. Gr. 5
20	2	414279	Capscrew 3/8 - 16NC x 3/4 Lg. Hx. Hd. Gr. 5
21	6	414282	Capscrew 3/8 - 16NC x 1-1/4 Lg. Hx. Hd. Gr. 5
22	4	414842	Capscrew 1/4 -20NC x 1-3/4 Lg Soc. Hd. Lok-Wel
23	2	414952	Capscrew 1/2 -13NC x 1-1/2 Soc. Hd. Z.P.
24	1	416030	Setscrew 1/4 -20NC x 3/8 Soc. Hd. Less
25	1	416059	Setscrew 3/8 - 16NC x 1/2 Soc. Hd. Less
26	8	418177	Lockwasher 3/8 Med. Sect. Z.P.
27	2	418218	Lockwasher 1/2 Med. Sect.
28	1	431008	Coupling
29	2	438014	Drag Brake
30	2	442184	Gasket
31	1	442205	Gasket
32	2	450006	Key (Barth)
33	4	450016	Key (Barth)
34	1	456001	Fitting – Lube
35	1	456008	Fitting – Relief
36	1	458050	Motor
37	1	468002	Reducer
38	2	468011	Pipe Plug
39	2	470033	Spirol Pin
40	1	472012	Plug – Rubber
41	1	472013	Plastic Plug
42	1	486009	Oil Seal
43	1	486017	Oil Seal
44	2	494002	Spring
45	1	494053	Spring
46	1	518014	Thrust Washer
47	2	518015	Thrust Washer

For Gasket and Seal Kit, Order #246040

Bitte nehmen Sie bei der Bestellung von Ersatzteilen Bezug auf die genannte Ramsey-Artikelnummer.
When ordering a spare part, please refer to these Ramsey code numbers.