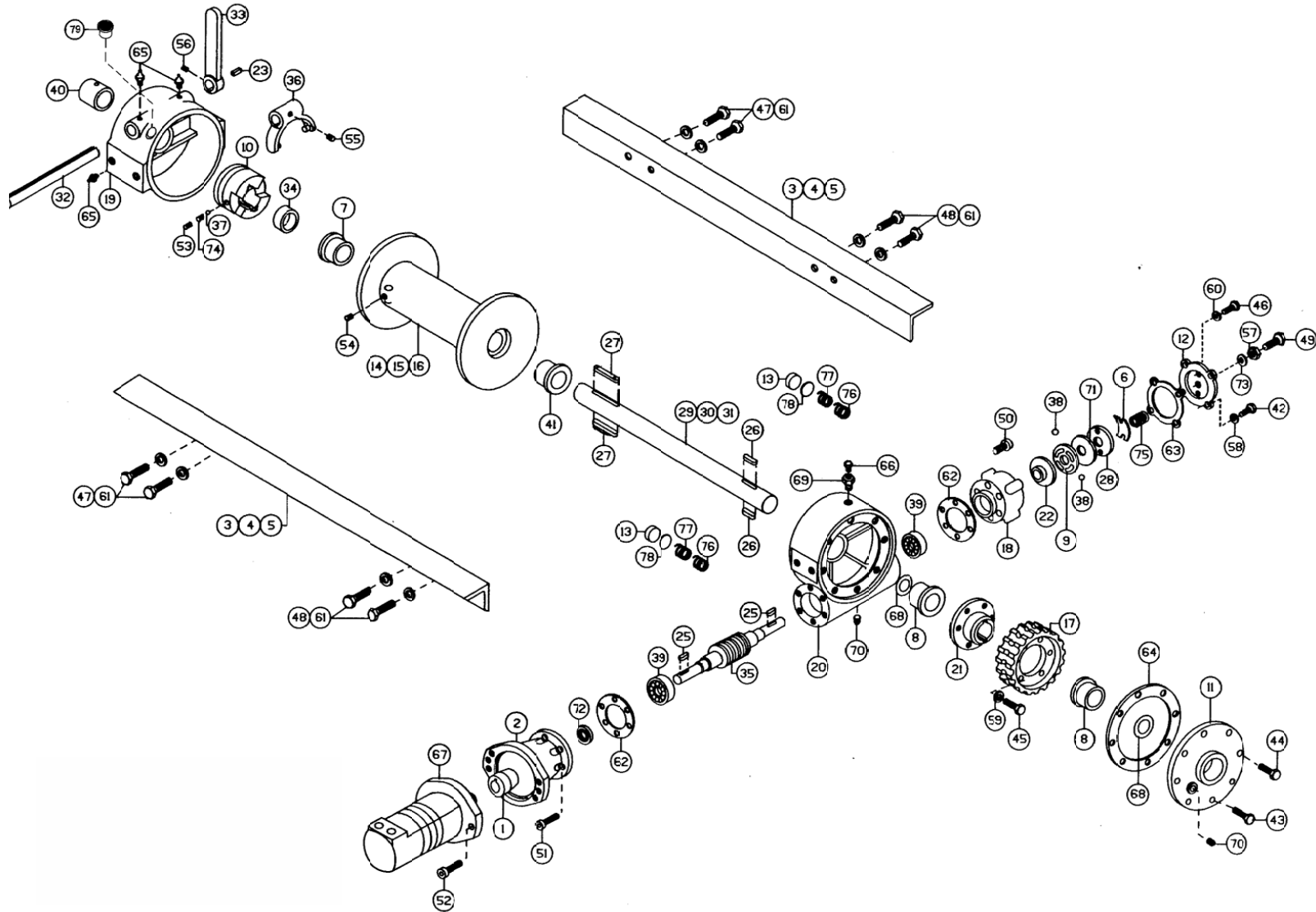


Ramsey H 600

ProLux



Ramsey H 600



| Item No. | Qty. | Part No. | Description | Item No. | Qty. | Part No. | Description |
|----------|------|----------|-----------------|----------|------|----------|--|
| 1 | 1 | 299043 | COUPLING | 41 | 1 | 412006 | BUSHING |
| 2 | 1 | 300043 | ADAPTER | 42 | 4 | 414111 | CAPSCREW 5/16-18NCx1 LG. HK.HD. GR.5 |
| 3 | 2 | 302229 | ANGLE-600 | 43 | 1 | 414140 | CAPSCREW 5/16-18NCx3/4 LG. HX.HD. GR.5 NYLOK HVY. PAT |
| 4 | 2 | 302380 | ANGLE-Y600 | 44 | 7 | 414141 | CAPSCREW 5/16-18NCx1 LG. HX.HD. GR.5 NYLOK HVY.PATCH |
| 5 | 2 | 302417 | ANGLE-X600 | 45 | 6 | 414283 | CAPSCREW 3/8-16NCx1-1/4 LG. HX.HD. GR.8 |
| 6 | 1 | 306036 | SPRING-FLAT | 46 | 2 | 414398 | CAPSCREW 3/8-24NFx1 LG. HX.HD. GR.5 NYLOK HVY.PATCH |
| 7 | 1 | 308046 | BUSHING | 47 | 4 | 414457 | CAPSCREW 7/16-14NCx1-1/4 LG. HX.HD. GR.5 |
| 8 | 2 | 308048 | BUSHING | 48 | 4 | 414481 | CAPSCREW 7/16-14NCx1-1/4 LG. HX.HD. GR.5 NYLOK HVY.PAT |
| 9 | 1 | 314003 | PLATE-CAM | 49 | 1 | 414603 | CAPSCREW 1/2-20NFx1-3/4 LG. HX.HD. GR.5 ALL-THD. |
| 10 | 1 | 324163 | CLUTCH-JAW | 50 | 6 | 414865 | CAPSCREW 5/16-18NCx1 LG. HK.SOC.HD. |
| 11 | 1 | 328046 | COVER-G.HSG. | 51 | 6 | 414871 | CAPSCREW 5/16-18NCx1-1/4 LG. SOC.HD. LOK-WEL |
| 12 | 1 | 328057 | COVER-BRAKE | 52 | 2 | 414950 | CAPSCREW 1/2-13NCx1-3/4 LG. SOC.HD. LOK-WEL |
| 13 | 2 | 330010 | SHOE-DRAG BRAKE | 53 | 1 | 414971 | SCREW-POPPET 1/2-20NF HD.-LESS DR. SLOT |
| 14 | 1 | 332074 | DRUM-Y600 | 54 | 1 | 416059 | SETSCREW 3/8-16NCx1/2 LG. HX.SOC.HD. |
| 15 | 1 | 332140 | DRUM-600 | 55 | 1 | 416109 | SETSCREW 5/16-18NCx1/2 LG. SQ.HD. |
| 16 | 1 | 332141 | DRUM-X600 | 56 | 1 | 416112 | SETSCREW 5/16-18NCx3/4 LG. SQ.HD. |
| 17 | 1 | 334050 | GEAR-R.H. | 57 | 1 | 418067 | NUT-JAM 1/2-20NF HX. |
| 18 | 1 | 338038 | HOUSING-BRAKE | 58 | 4 | 418163 | LOCKWASHER 5/16 MED. SECT. D.P. |
| 19 | 1 | 338040 | HOUSING-CLUTCH | 59 | 6 | 418176 | LOCKWASHER 3/8 MED. SECT. |
| 20 | 1 | 338095 | HOUSING-GEAR | 60 | 2 | 418184 | WASHER-FLAT 3/8 ALUM. |
| 21 | 1 | 340014 | HUB-GEAR | 61 | 8 | 418198 | LOCKWASHER 7/16 MED. SECT. D.P. |
| 22 | 1 | 340024 | HUB-BRAKE | 62 | 2 | 442182 | GASKET |
| 23 | 1 | 342024 | KEY-SQ. END | 63 | 1 | 442190 | GASKET |
| | | | NOT USED | 64 | 1 | 442191 | GASKET |
| 25 | 2 | 342051 | KEY-RD. END | 65 | 3 | 456006 | FITTING-LUBE |
| 26 | 2 | 342120 | KEY-RD. END | 66 | 1 | 456008 | FITTING-RELIEF |
| 27 | 2 | 45007 | KEY-BARTH | 67 | 1 | 458025 | MOTOR-HYD. |
| 28 | 1 | 352020 | PLATE-RETAINER | 68 | 2 | 462003 | QUAD-RING |
| 29 | 1 | 356806 | SHAFT-DRUM-X600 | 69 | 1 | 468002 | REDUCER |
| 30 | 1 | 357466 | SHAFT-DRUM-600 | 70 | 2 | 468011 | PLUG-PIPE |
| 31 | 1 | 357468 | SHAFT-DRUM-Y600 | 71 | 1 | 474004 | PLATE |
| 32 | 1 | 356945 | SHAFT-SHIFTER | 72 | 1 | 486067 | SEAL-OIL |
| 33 | 1 | 358001 | SHIFTER-HANDLE | 73 | 1 | 486076 | THREAD SEAL |
| 34 | 1 | 362007 | SPACER-DRUM | 74 | 1 | 494005 | SPRING |
| 35 | 1 | 368057 | WORM-R.H. | 75 | 1 | 494010 | SPRING |
| 36 | 1 | 370057 | YOKE | 76 | 2 | 494088 | SPRING |
| 37 | 1 | 400003 | BALL-POPPET | 77 | 2 | 494089 | SPRING |
| 38 | 2 | 400007 | BALL | 78 | 2 | 530034 | SPACER-BRAKE DISC |
| 39 | 2 | 402044 | BEARING-BALL | 79 | 1 | 472013 | PLUG-PLASTIC |
| 40 | 1 | 412005 | BUSHING | | | | |

Bitte nehmen Sie bei der Bestellung von Ersatzteilen Bezug auf die genannte Ramsey-Artikelnummer.
 When ordering a spare part, please refer to these Ramsey code numbers.