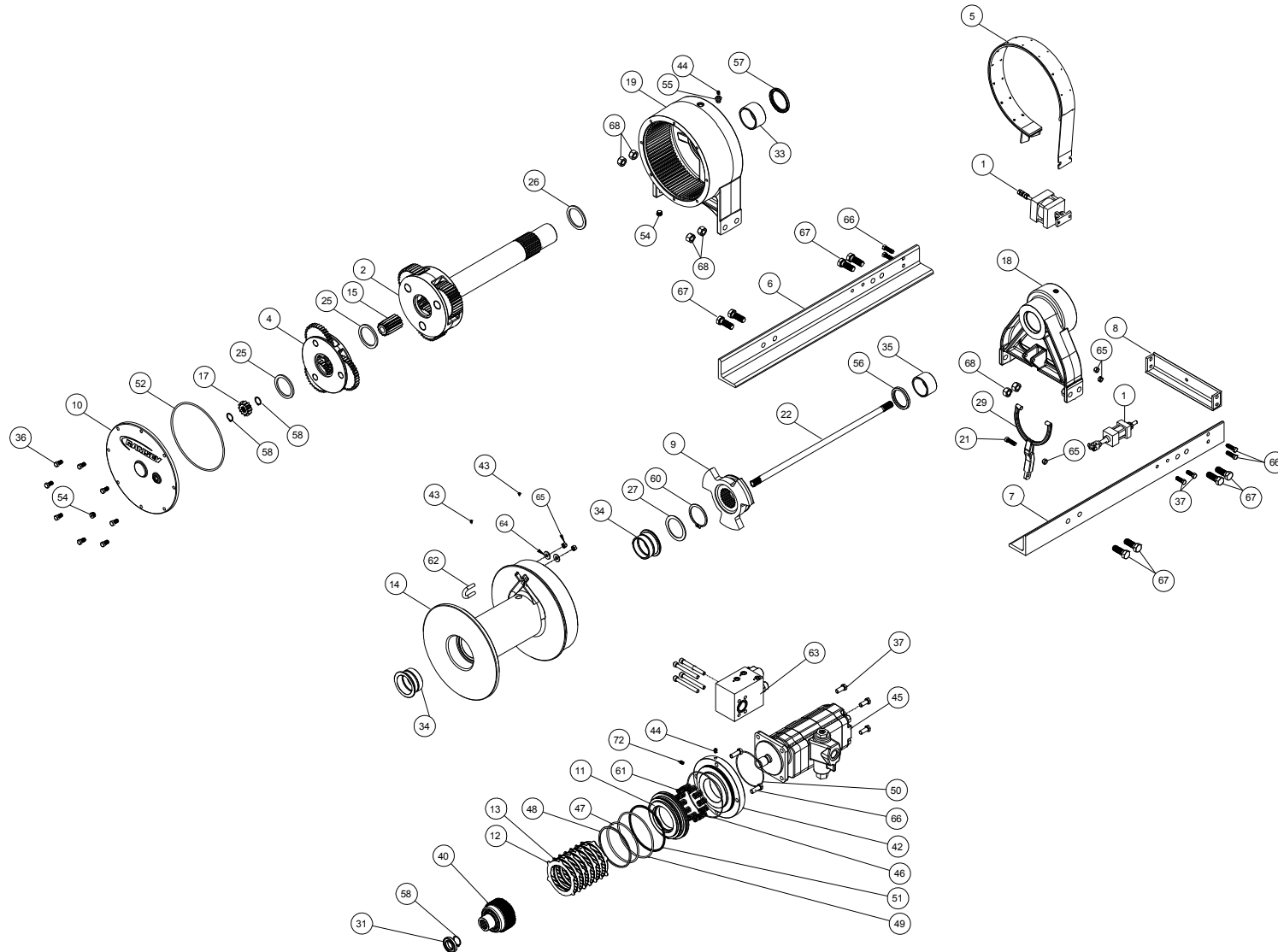


Ramsey Wildcat 50 K

ProLux



Ramsey Wildcat 50 K

| ITEM | QTY | PART NO | DESCRIPTION | ITEM | QTY | PART NO | DESCRIPTION |
|------|-----|---------|-----------------------------------|------|-----|---------|---|
| 1 | 1 | 256131 | AIR CYLINDER | 37 | 6 | 414578 | CAPSCREW-1/2-13NCX1 1/4, HXHD, GR.5, ZP |
| 2 | 1 | 296684 | OUTPUT CARRIER ASSEMBLY | 38 | | | NOT USED |
| 3 | | | NOT USED | 39 | 1 | 432018 | FITTING JIC O-RING EL |
| 4 | 1 | 296685 | INPUT CARRIER ASSEMBLY | 40 | 1 | 296688 | SPRAG BRAKE HUB ASSEMBLY |
| 5 | 1 | 299750 | BAND BRAKE | 41 | 4 | 432023 | FITTING JIC O-RING NIPPLE |
| 6 | 1 | 303156 | LH MOUNTING ANGLE | 42 | 1 | 438043 | BRAKE COVER |
| 7 | 1 | 303157 | RH MOUNTING ANGLE | 43 | 2 | 456001 | FITTING-LUBE, 3/16 DRIVE FIT, SHORT |
| 8 | 1 | 312575 | CLUTCH CYLINDER SUPPORT BRACKET | 44 | 2 | 456008 | FITTING-RELIEF1/8-27NPTF, 15 PSI MAX |
| 9 | 1 | 324511 | CLUTCH | 45 | 1 | 458169 | MOTOR-HYD |
| 10 | 1 | 328175 | GEAR HOUSING COVER | 46 | 1 | 462063 | O-RING 2-165 |
| 11 | 1 | 330016 | BRAKE PISTON | 47 | 1 | 462082 | O-RING 2-358 |
| 12 | 7 | 330017 | STATOR PLATE | 48 | 1 | 462083 | BACK UP RING |
| 13 | 6 | 330018 | DISC-BRAKE | 49 | 1 | 462084 | O-RING 2-362 |
| 14 | 1 | 332248 | DRUM | 50 | 1 | 462081 | O-RING 2-159 |
| 15 | 1 | 334226 | GEAR-SUN OUTPUT | 51 | 1 | 462085 | BACK UP RING |
| 16 | | | NOT USED | 52 | 1 | 462093 | O-RING 2-280 |
| 17 | 1 | 334227 | GEAR-SUN INPUT | 53 | 1 | 432053 | FITTING JIC O-RING NIPPLE |
| 18 | 1 | 338400 | END BEARING MOTOR SIDE | 54 | 2 | 468041 | PLUG -8 SAE 3/4"-16 UNF |
| 19 | 1 | 338401 | END BEARING GEAR SIDE | 55 | 1 | 468042 | REDUCER-3/4-16 SAE O-RING X 1/8NPTF |
| 20 | | | NOT USED | 56 | 1 | 486096 | SEAL-OIL- SHAFT |
| 21 | 1 | 414543 | CAPSCREW-1/2-13NCX3LG, HXHD, GR 5 | 57 | 1 | 486097 | SEAL-OIL- SHAFT |
| 22 | 1 | 357533 | INPUT SHAFT | 58 | 3 | 490068 | SNAP RING 5100-1.25 |
| 23 | | | NOT USED | 59 | 1 | 432054 | FITTING JIC SWIVEL EL |
| 24 | | | NOT USED | 60 | 1 | 490067 | SNAP RING |
| 25 | 2 | 362301 | SPACER - INPUT CARRIER | 61 | 12 | 494129 | SPRING-BRAKE |
| 26 | 1 | 362317 | SPACER - OUTPUT CARRIER | 62 | 1 | 514020 | U-BOLT |
| 27 | 1 | 362318 | SPACER - DRUM | 63 | 1 | 516048 | COUNTER BALANCE BLOCK |
| 28 | | | NOT USED | 64 | 2 | 418223 | FLATWASHER 1/2 |
| 29 | 1 | 370062 | YOKE-SHIFTER | 65 | 7 | 418069 | NUT-1/2-13NC HEX REG,Z/P |
| 30 | 1 | 432048 | FITTING JIC SWIVEL TEE | 66 | 8 | 414556 | CAPSCREW-1/2-13NCX1 3/4 HXHD GR.5 |
| 31 | 1 | 402142 | BALL BEARING | 67 | 8 | 414790 | BOLT-7/8-9NC X3.25 LG, HXHD, GR8, Z/P |
| 32 | 2 | 432049 | FITTING JIC BRANCH TEE | 68 | 8 | 418108 | NUT-7/8-9NC HEX REG Z/P |
| 33 | 1 | 412139 | GEAR END BEARING BUSHING | 69 | 1 | 509137 | HOSE |
| 34 | 2 | 412141 | DRUM BUSHING | 70 | 2 | 509140 | HOSE |
| 35 | 1 | 412140 | MOTOR END BEARING BUSHING | 71 | 3 | 509141 | HOSE |
| 36 | 8 | 414521 | CAPSCREW-1/2-13 NC X1 LG HX HD | 72 | 1 | 468016 | PIPE PLUG |

Bitte nehmen Sie bei der Bestellung von Ersatzteilen Bezug auf die genannte Ramsey-Artikelnummer.
 When ordering a spare part, please refer to these Ramsey code numbers.