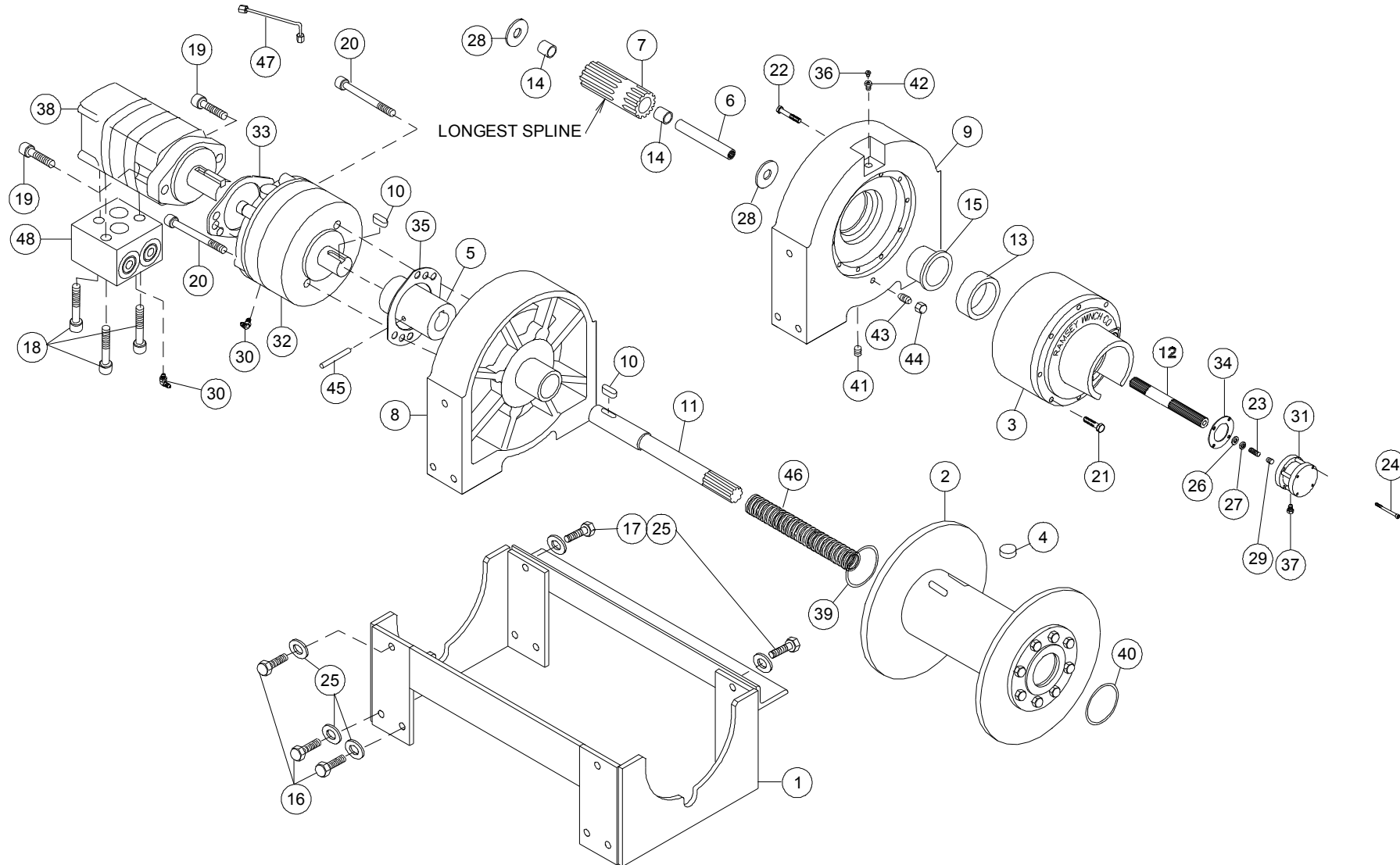


Ramsey RPH 20000



Ramsey RPH 20000

ITEM	QTY.	PART #	DESCRIPTION	ITEM	QTY.	PART NO.	DESCRIPTION
1	1	242157	ASSY-FRAME	25	12	418218	LOCKWASHER 1/2 MED SECT
2	1	234170	DRUM ASSEMBLY	26	1	418432	WASHER – THRUST
3	1	296504	GEAR BOX	27	1	418433	NUT – 5/16-24 NF X 3/16 THK LOCK
4	1	314010	CABLE ANCHOR	28	2	418462	WASHER – CLUTCH
5	1	324290	COUPLING – BRAKE	29	1	426045	INSERT
6	1	324294	COUPLING – SHAFT	30	2	432018	FITTING – HYD 7/16-20 90° ELBOW
7	1	324299	COUPLING – OUTPUT	31	1	433014	AIR CYLINDER
8	1	338294	END BEARING – MOTOR	32	1	438020	BRAKE
9	1	338315	END BEARING – GEAR	33	1	442215	GASKET – BRAKE & MOTOR END*
10	2	342194	KEY – RD END	34	1	442217	GASKET – AIR CYLINDER*
11	1	357496	SHAFT – INPUT	35	1	442224	GASKET – BRAKE OUTPUT FACE*
12	1	358073	SHIFTER SHAFT	36	1	456008	RELIEF FITTING
13	1	362269	SPACER	37	1	456038	BREATHER VENT
14	2	402119	BEARING	38	1	458081	MOTOR – HYDRAULIC
15	1	412090	BUSHING – THRUST	39	1	462012	QUAD. RING*
16	10	414561	CAPSCREW 1/2-13 NC X 1-1/4 LG HX HD GR 5	40	1	462050	QUAD. RING*
17	2	414551	CAPSCREW 1/2-13 NC X 1-1/2 LG HX HD GR 5	41	1	468017	PIPE PLUG
18	3	414935	CAPSCREW 3/8-16NC X 2-1/2 LG HX SOC HD	42	1	468024	REDUCER
19	2	414948	CAPSCREW 1/2-13NC X 1-1/4 LG SOC HD	43	1	468036	PIPE NIPPLE
20	2	414958	CAPSCREW 1/2-13NC X 4 LG SOC HD	44	1	468037	PIPE CAP
21	8	415152	BOLT – M8-1.25X30MM LG. HX HD GR 8.8 Z/P	45	1	470091	PIN
22	12	415207	BOLT – M10-1.25X60MM LG. HX HD GR 8.8 Z/P	46	1	494108	SPRING
23	1	416051	SETSCREW 5/16-24 NF X 1 LG SOC HD	47	1	509006	TUBE ASSEMBLY
24	4	416233	CAPSCREW #10-24NC X 2-1/2 LG HX SOC HD	48	1	516011	CONTROL VALVE

Bitte nehmen Sie bei der Bestellung von Ersatzteilen Bezug auf die genannte Ramsey-Artikelnummer.
 When ordering a spare part, please refer to these Ramsey code numbers.