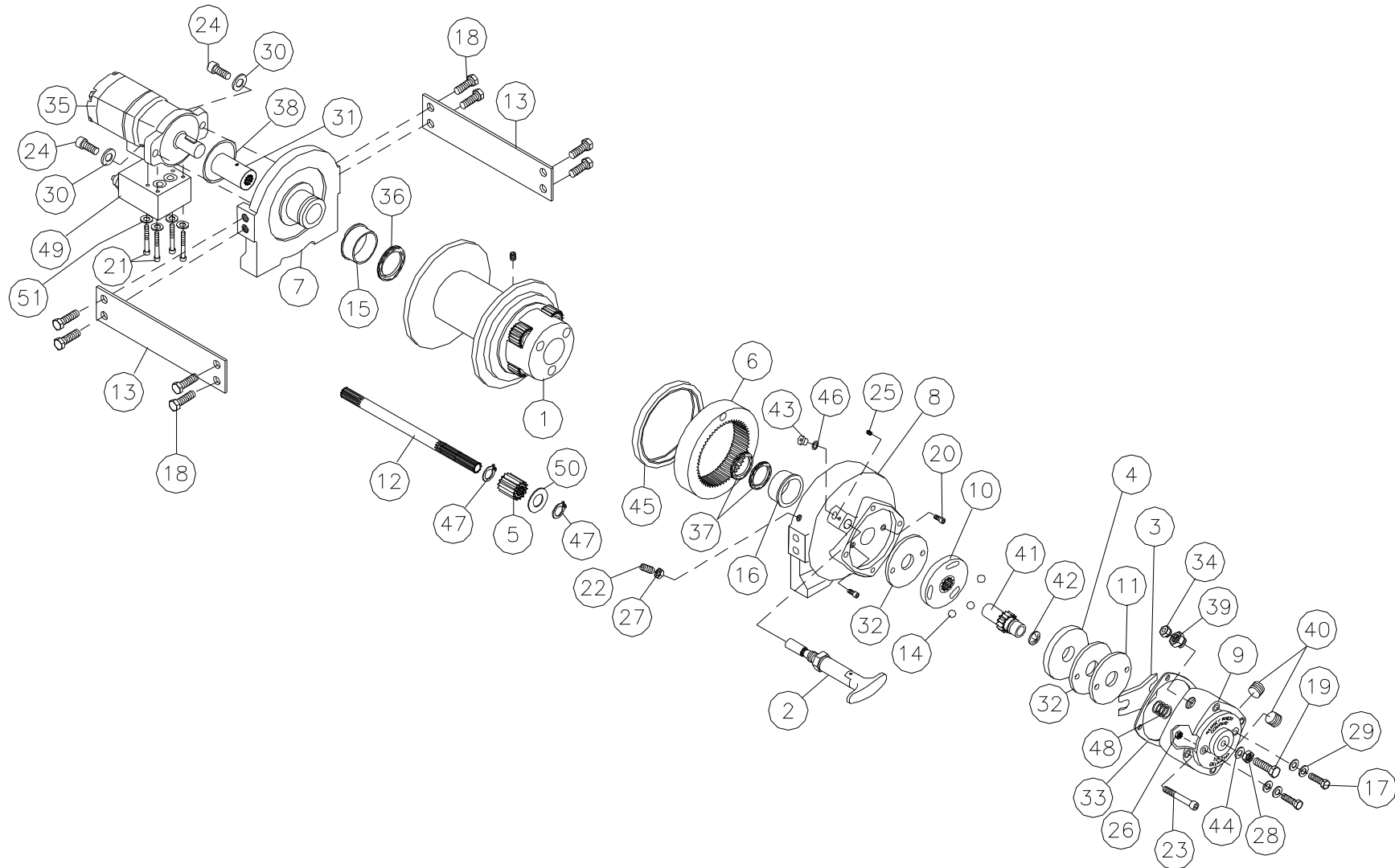


Ramsey RPH 10000 manueller Freilauf

Ramsey RPH 10000 manual clutch



Ramsey RPH 10000 manueller Freilauf

Ramsey RPH 10000 manual clutch



ITEM	QTY.	PART NO.	DESCRIPTION
1	1	234168	DRUM ASS'Y. "Y"
	1	234169	DRUM ASS'Y. "STD."
2	1	276048	SHIFTER ASS'Y.
3	1	306035	SPRING-FLAT, BRK.
*4	1	314017	CAM PLATE-"A" ROTATION
	1	314018	CAM PLATE- "B" ROTATION
5	1	334174	GEAR-OUTPUT, SUN
6	1	444084	GEAR-RING
**7	1	338329	END BEARING-MOTOR
**8	1	338327	HOUSING-GEAR, END BEARING
**9	1	338328	HOUSING-BRAKE
*10	1	314019	HUB PLATE
11	1	352021	RETAINER PLATE
12	1	357494	SHAFT-INPUT "Y"
	1	357495	SHAFT-INPUT "STD."
13	2	395163	TIE PLATE "Y"
	2	395172	TIE PLATE "STD."
*14	3	400007	BALL
15	1	412084	BUSHING-DRUM, MOTOR END
16	1	412085	BUSHING-DRUM, GEAR
17	2	414273	BOLT-3/8-16NC X 1-3/4, HX, GR. 5
18	8	414581	CAPSCREW-1/2-13NC X 3/4 LG. HX. HD., GR. 5, Z/P
19	1	414622	BOLT-1/2-13NC X 2-1/4, HX. HD., GR. 5, ALL-THD.
20	2	414836	CAPSCREW-1/4-20NC X 1/2, HX. SOC. HD.
21	4	414159	CAPSCREW-5/16-18NC X 2-1/2, HX. HD., GR5, Z/P
22	1	414926	SETSCREW-3/8-16NC X 1, SOCKET, NYLON
23	4	414934	CAPSCREW-3/8-16NC X 2-3/4, HX. SOC. HD.
24	2	414952	CAPSCREW-1/2-13NC X 1-1/2, SOC. HD.
25	1	416016	SETSCREW-1/4-20NC X 1/4 HX. SOC. HD.
**26	2	418034	NUT 3/8-16NC HEX.REG.
27	1	418036	NUT 3/8-16NC HEX. JAM
28	1	418061	NUT-1/2-13NC HEX. JAM
29	4	418184	WASHER-3/8 ID X 5/8 OD X 1/16 FLAT ALUM
30	2	418218	LOCKWASHER-1/2 ID MED. SECT.
31	1	299713	COUPLING-HYD. MOTOR
32	2	438018	PLATE-BRAKE
33	1	442212	GASKET-BRK. HSG.
34	1	456008	RELIEF FITTING
35	1	458079	MOTOR-HYD.
36	1	462046	O-RING
37	2	462047	QUAD-RING
38	1	462048	O-RING
39	1	468002	REDUCER
40	2	468018	PIPE PLUG
*41	1	340077	BRAKE SHAFT
*42	1	472051	PLUG
43	1	472052	PLUG
44	1	486076	SEAL
45	1	486080	SEAL-GEAR HSG.
46	1	518037	SHIM
47	2	490003	SNAP RING
48	1	494010	SPRING
49	1	516008	VALVE-COUNTERBALANCE ("A" ROTATION)
	1	516009	VALVE-COUNTERBALANCE ("B" ROTATION)
50	1	518047	WASHER-THRUST
51	4	418163	LOCKWASHER - 5/16 MED SECT Z/P

* EFFECTIVE SERIAL NUMBER: 2038147

** EFFECTIVE DATE CODE: H07702041

Bitte nehmen Sie bei der Bestellung von Ersatzteilen Bezug auf die genannte Ramsey-Artikelnummer.
When ordering a spare part, please refer to these Ramsey code numbers.