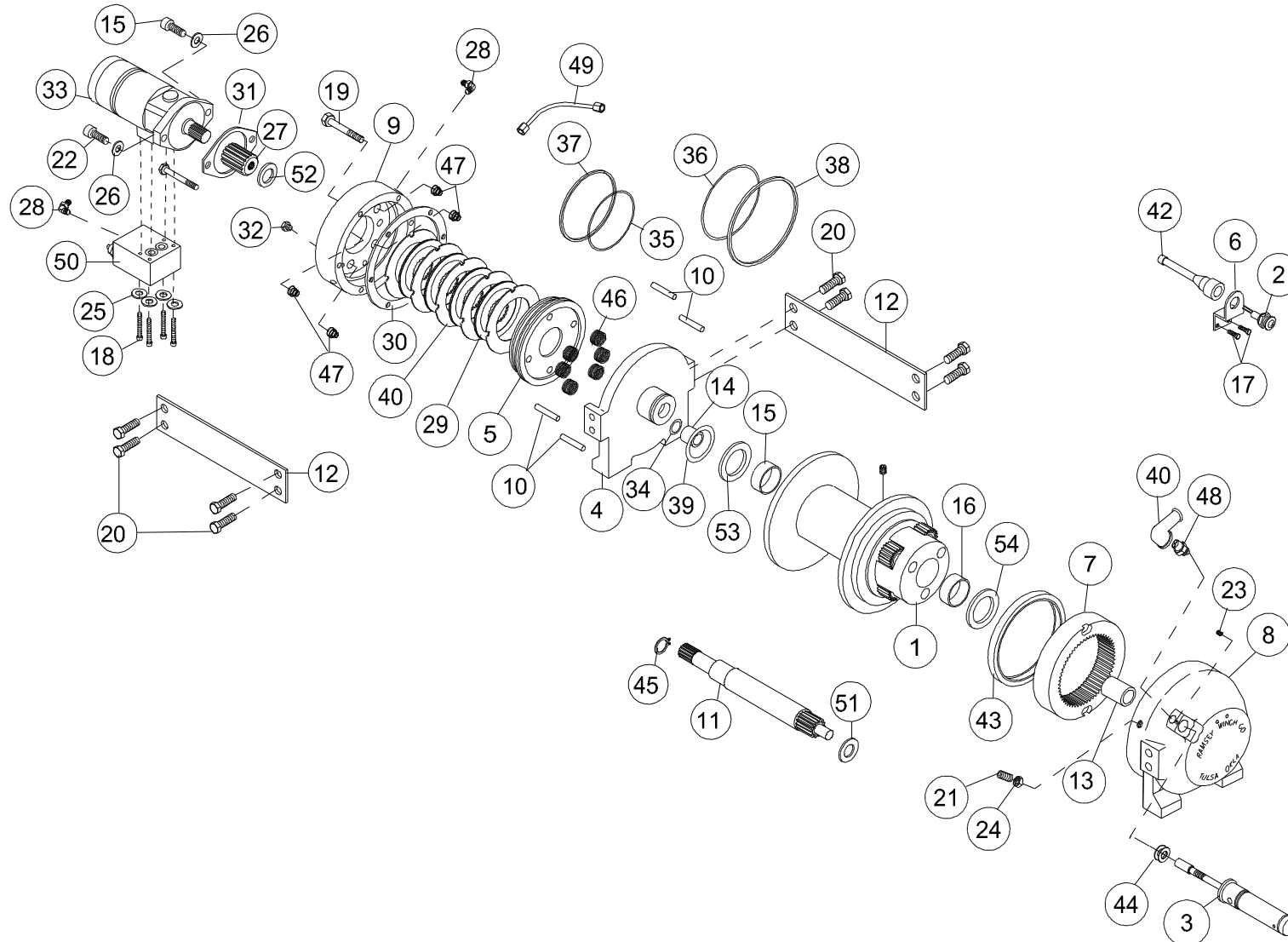


Ramsey RPH 15000 pneumatischer Freilauf

Ramsey RPH 15000 air clutch



Ramsey RPH 15000 pneumatischer Freilauf

Ramsey RPH 15000 air clutch

ProLux

ITEM	QTY.	PART NO.	DESCRIPTION	ITEM	QTY.	PART NO.	DESCRIPTION
1	1	234173	STD. DRUM ASSY.	26	2	418218	LOCKWASHER - 1/2 ID MED. SECT.
	1	234200	SHORT DRUM ASSY.	27	1	431015	COUPLING - BRAKE
2	1	236020	LIGHT ASSY	28	2	432018	FITTING - 7/16 ELBOW
3	1	276053	SHIFTER ASSY. - AIR	29	4	438022	DISC - BRAKE
4	1	338345	END BEARING - MOTOR	30	1	442220	GASKET - BRAKE
5	1	306042	PISTON - BRAKE	31	1	442223	GASKET - MOTOR
6	1	312526	BRACKET - LIGHT MTG.	32	1	456038	FITTING - VENT
7	1	334177	GEAR-RING	33	1	458090	MOTOR-HYDRAULIC
8	1	338297	HOUSING -GEAR, END BEARING	34	1	462056	O-RING
9	1	338302	HOUSING - BRAKE	35	1	462057	O-RING
10	4	346045	PIN - BRAKE	36	1	462058	O-RING
11	1	357518	SHAFT - INPUT (STD. DRUM)	37	1	462059	O-RING
	1	357521	SHAFT - INPUT (SHORT DRUM)	38	1	462060	O-RING
12	2	395236	TIE PLATE (STD. DRUM)	39	1	462061	O-RING (DRUM)
	2	395236	TIE PLATE (SHORT DRUM)	40	5	474111	PLATE SEPARATOR
13	1	402120	BEARING	41	1	482013	GROMMET
14	1	402121	BEARING - MOTOR END BEARING	42	1	482045	RUBBER BOOT
15	1	412095	BUSHING - DRUM (MTR. END)	43	1	486081	SEAL-GEAR HSG.
16	1	412096	BUSHING - DRUM (G.HSG. END)	44	2	488007	SHIM
17	2	414036	CAPSCREW - 1/4-20NC X 1/2 HX HD GR5 F/B	45	1	490037	SNAP RING
18	4	414159	CAPSCREW - 5/16-18 X 1-1/2 LG HX HD GR5 Z/P	46	6	494110	SPRING - BRAKE
19	6	414303	CAPSCREW - 3/8-16NC X 2-1/2 LG. HX HD GR5 PLTD	47	4	494112	SPRING
20	8	414664	CAPSCREW - 5/8-11NC X 1 LG. HX. HD., GR. 5	48	1	504021	SWITCH ASSY
21	1	414926	SETSCREW - 3/8-16NC X 1 LG., SOCKET, NYLON	49	1	509009	TUBE ASSEMBLY
22	2	414948	CAPSCREW - 1/2-13NC X 1-1/4 LG., HX. SOC. HD.	50	1	516013	VALVE - MOTOR CONTROL
23	1	416016	SETSCREW - 1/4-20NC X 1/4 LG., HX. SOC. HD.	51	1	518047	THRUST WASHER
24	1	418036	NUT 3/8 - 16NC HEX. JAM	52	1	518052	THRUST WASHER
25	4	418063	LOCKWASHER - 5/16 MED SECT Z/P	53	1	518053	THRUST WASHER (MTR. END)
				54	1	518054	THRUST WASHER (G. HSG. END)

Bitte nehmen Sie bei der Bestellung von Ersatzteilen Bezug auf die genannte Ramsey-Artikelnummer.

When ordering a spare part, please refer to these Ramsey code numbers.