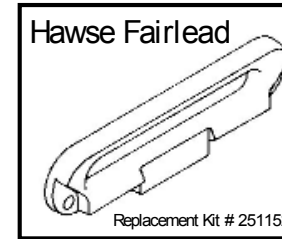
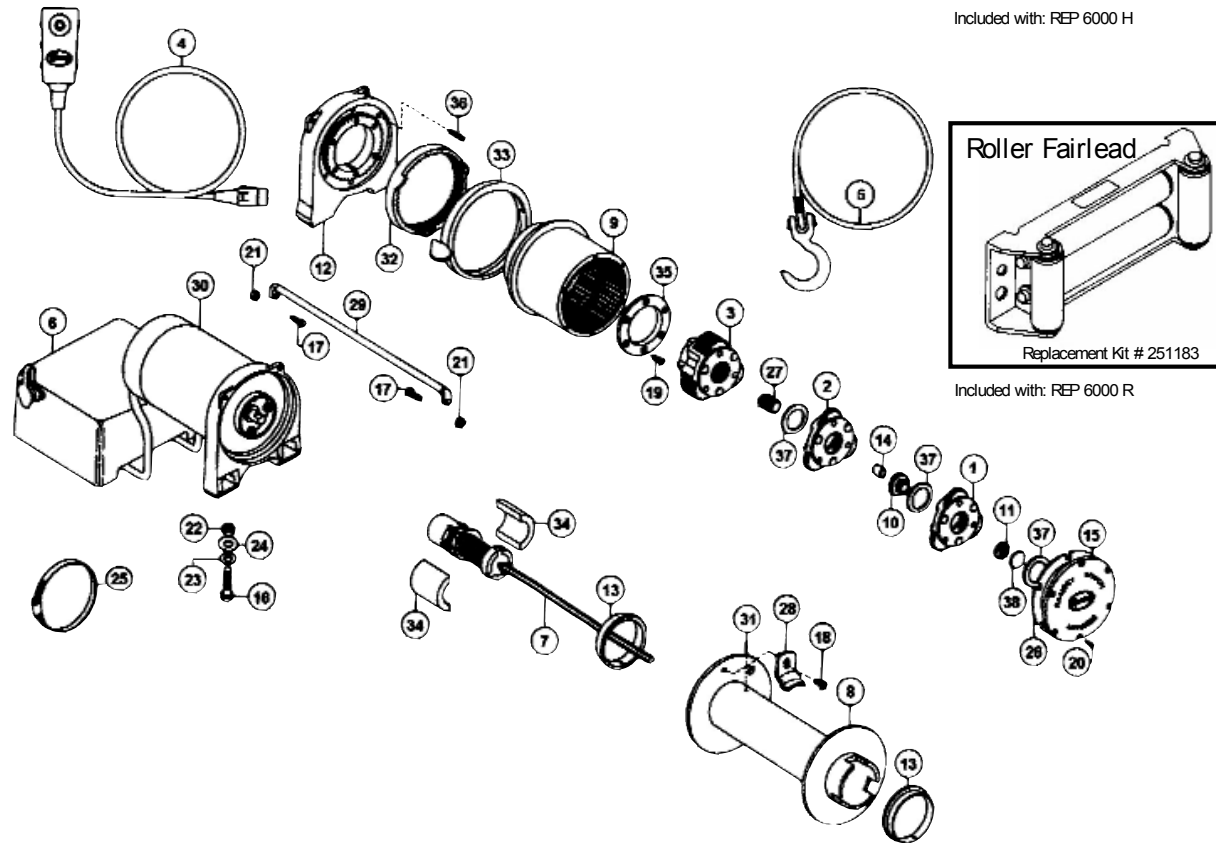
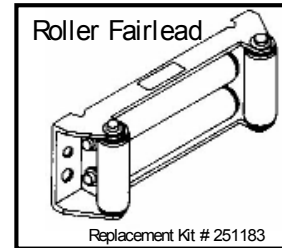


REP 6000

ProLux



Included with: REP 6000 H



Included with: REP 6000 R

REP 6000



Item No.	Qty.	Parts No.	Description	Item No.	Qty.	Parts No.	Description
1	1	247009	Gear Carrier Ass'y.—Input	20	6	416273	Screw #6—32NCx3/8 Lg. Fil. Hd.
2	1	247007	Gear Carrier Ass'y—Intermediate	21	4	418018	Nut 1/4—20NC Hx. Reg. Elastic Stop
3	1	247008	Gear Carrier Ass'y—Output	22	4	418035	Nut 3/8—16NC Hx. Reg. Z/P
4	1	251110	Switch Ass'y	23	4	418177	Lockwasher 3/8 ID Med. Sect. Plated
5	1	251228	Cable Assembly-100' 1/4" (6MM) Dia.	24	4	418181	Washer—Flat 3/8 ID S.A.E., Plated
6	1	278154	Solenoid Ass'y	25	1	424023	Clamp
7	1	296181	Brake/Shaft Ass'y	26	1	442207	Gasket
8	1	332128	Drum—Cable	27	1	444048	Gear—Output, Sun
9	1	334143	Gear—Ring	28	1	448071	Cable Anchor
10	1	334147	Gear—Intermediate, Sun	29	2	448049	Tie Bar
11	1	334154	Gear—Input, Sun	30	1	458109	Motor/End Bearing Ass'y.
12	1	338249	End Bearing	31	1	470053	Roll Pin 1/8 Dia. x 3/8
13	2	412056	Bushing—Drum	32	1	477002	Locking Ring
14	1	412061	Bushing—Shaft	33	1	477003	Cam Ring
15	1	413018	Cover—Gear Housing	34	2	477004	Ring—Half
16	4	414316	Capscrew 3/8—16NCx1-1/4Lg.Hx.Hd.Gr.5,Z/P	35	1	479007	Retainer—Ring Gear
17	4	414829	Capscrew 1/4—20NCx1 Lg. Soc. Button Hd.	36	6	494077	Spring
18	1	414830	Capscrew 1/4—20NCx3/8 Lg. Soc. Button Hd.	37	3	518020	Thrust Washer
19	6	414861	Capscrew 1/4—20NCx3/4 Lg. Flat Hd. Soc. NYLOK	38	1	518027	Thrust Disc

Bitte nehmen Sie bei der Bestellung von Ersatzteilen Bezug auf die genannte Ramsey-Artikelnummer.
 When ordering a spare part, please refer to these Ramsey code numbers.